

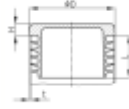


Base Items Of Product Group GLZ

Inserts with flat head for round tubes



GLZ



GLZ

Standard black

Colours:

Material: **Polyethylene**

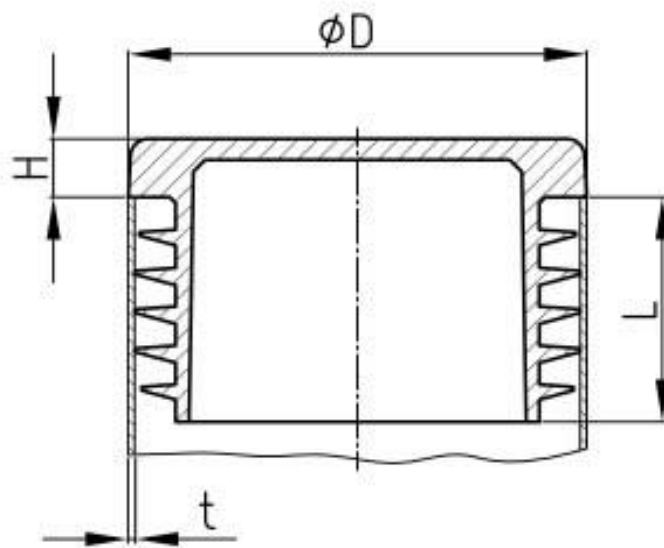
| Order number | D | H | L | t | New |
|------------------------|--------|----|------|----|-----|
| | mm | mm | mm | mm | |
| <u>GLZ 0,5</u> | 21,3 5 | 20 | 2,65 | | |
| <u>GLZ 0,75</u> | 26,9 5 | 20 | 2,65 | | |
| <u>GLZ 1</u> | 33,7 5 | 20 | 3,25 | | |
| <u>GLZ 1,25</u> | 42,4 6 | 25 | 3,25 | | |
| <u>GLZ 1,5</u> | 48,3 6 | 25 | 3,25 | | |
| <u>GLZ 2</u> | 60,3 6 | 25 | 3,65 | | |



ARTIUM ITC OÜ
info@artium.ee
+372 7409 400

AB TRANSYSTEMS SIA
info@abtransystems.lv
+371 6714 0102

Furniture
Inserts / Plugs (tubes, borings)



QUALITY PRODUCTS - EXCELLENT SERVICE - SMART DELIVERIES!

www.artium.ee

www.abtransystems.lv