

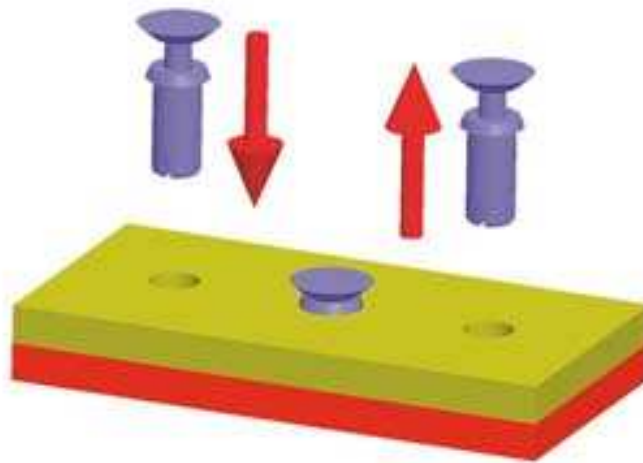


**RELEASABLE RIVET SERIE 094-1**

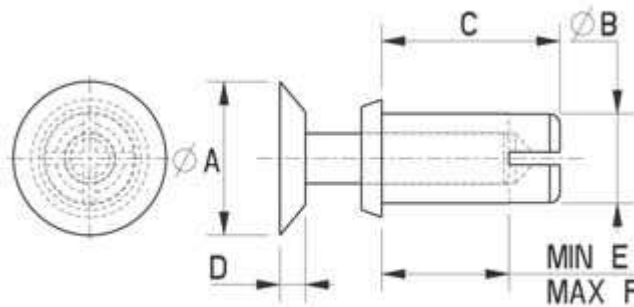


- Made from nylon-6 (PA-6)
- Colour: white, black
- Head design facilitates easy assembly and disassembly
- Please check series 094 and 094-2

**Examples  
of use**



**Dimensions**



Dimensions in mm

Article number	Colour	A	B	C	D	E	F
094 1110 603 01		6.4	3.1	3.5	1.0	1.0	2.0
094 1110 699 01		6.4	3.1	3.5	1.0	1.0	2.0
094 1120 603 01		6.4	3.1	4.5	1.0	2.0	3.0
094 1120 699 01		6.4	3.1	4.5	1.0	2.0	3.0

**QUALITY PRODUCTS - EXCELLENT SERVICE - SMART DELIVERIES!**



094 1130 603 01		6.4	3.1	5.5	1.0	3.0	4.0
094 1130 699 01		6.4	3.1	5.5	1.0	3.0	4.0
094 1135 603 01		6.0	3.1	6.5	1.0	4.0	5.0
094 1135 699 01		6.0	3.1	6.5	1.0	4.0	5.0
094 1145 603 01		6.0	3.1	8.0	1.0	5.0	6.5
094 1145 699 01		6.0	3.1	8.0	1.0	5.0	6.5
094 1220 603 01		6.4	3.6	4.5	1.0	2.0	3.0
094 1220 699 01		6.4	3.6	4.5	1.0	2.0	3.0
094 1240 603 01		6.0	3.6	5.5	1.0	3.0	4.0
094 1240 699 01		6.0	3.6	5.5	1.0	3.0	4.0
094 1260 603 01		6.0	3.6	7.0	1.0	4.5	5.5
094 1260 699 01		6.0	3.6	7.0	1.0	4.5	5.5

**INFORMATION (all information is given in good faith but without warranty!)**

Colour description : jet black, signal white

Matches : Reasonably matches RAL colour 9005 (black), RAL colour 9003 (white)

Featured colours reserved. Due to the screen differences in colour may occur.

**Material:** Nylon-6 (PA-6)      **Material number:** 01

**General information**

A strong, tough and durable material. Suitable for connecting elements and other technical components. Thanks to self lubricant properties ideal for slide bearings. Always has to acclimatize for a few days after injection moulding, taking approximately 3% moisture to obtain its normal strenght. Operational temperature can go up to 100-120°C temporarily for non-critical parts. Many nylons are self extinguishing.