

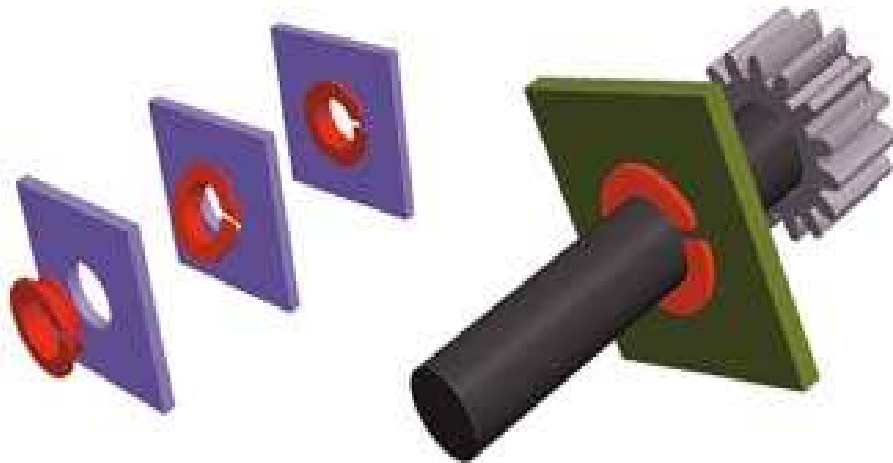


PLATE BEARING SERIES 164

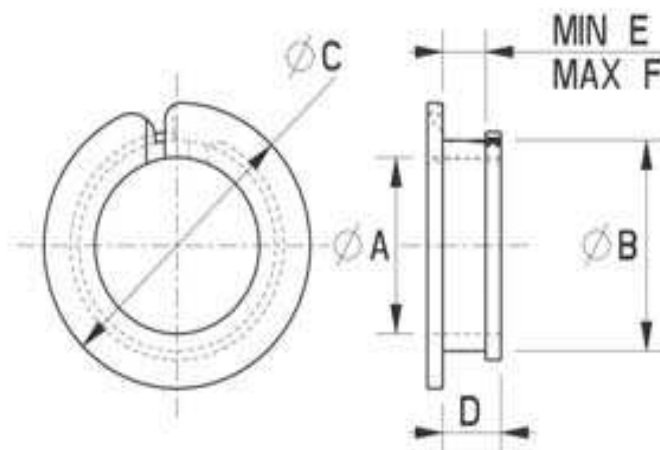


- Made from nylon-66 (PA-66)
- Colour: natural
- Perfect solution for fencing shafts or valves in steel plates
- Simply twist the bearing into the hole thanks to the compensation gap
- Minimum clearance at indicated shaft and hole dimensions 0,03 mm

Examples of use



Dimensions



QUALITY PRODUCTS - EXCELLENT SERVICE - SMART DELIVERIES!

