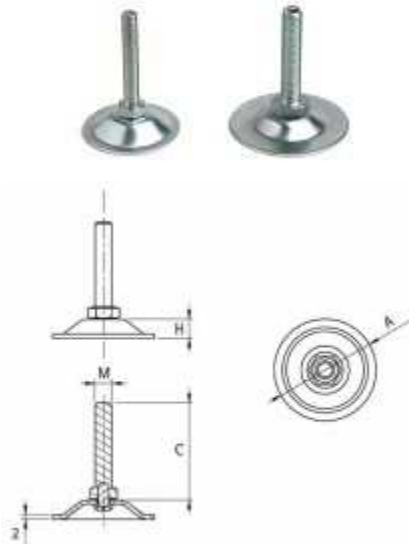




**A4 Zinc Plated and Stainless Steel Feet - SERIES EA**

**Adjustable Foot < 500 Kg.**



<b>Base Material</b>	Galvanized Sheet Iron
<b>Base Type</b>	Not fixable to the ground
<b>Spindle Material</b>	Zinc Plated Iron
<b>Spindle Type</b>	Fixed
<b>Product Presentation</b>	Spindle assembled to the base

Code	A	C	H	M	Maximum Load daN	Packing Pcs.
A4EA50	50	50	9	M10	400	8
A4EA60	60	50	9	M12	400	8
A4EA80	80	100	9	M16	500	8
A4EA100/16	100	100	20	M16	500	8
A4EA100/20	100	100	20	M20	500	8