

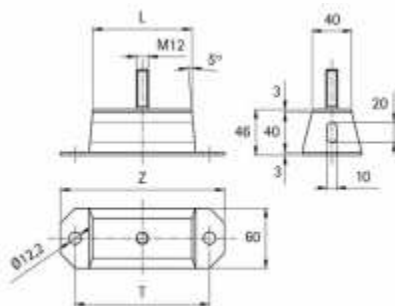


A2 Mountings With Other Shapes - SERIES SF

Rectangular Support



Main Part Material	NR/SBR Rubber Compound
Standard Hardness	60 Shore A
Hardness Tolerance	+/- 5 SH
On request	45 Shore A Hardness
Metallic Part Material & Finishing	Zinc Plated Steel Sheet
Standard Thread	With screw M12x40



Code	L	T	Z	Maximum Load daN	Packing Pcs.
A2SF50	50	85	115	500	1
A2SF100	100	135	165	1200	1
A2SF150	150	185	215	1400	1
A2SF200	200	235	265	1600	1