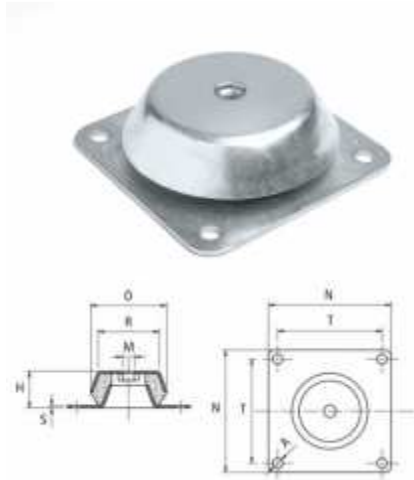




**A2 Mountings With Other Shapes - SERIES SCQ**

**Square Bell Support with Threaded Nut**



<b>Version</b>	With welded threaded nut
<b>Main Part Material</b>	NR/SBR Rubber Compound
<b>Hardness Tolerance</b>	+/- 5 SH
<b>On request</b>	45 Shore A Hardness
<b>Metallic Part Material &amp; Finishing</b>	Zinc Plated Steel Sheet

Code	A	H	M	N	O	R	S	T	Hardness Shore A	Maximum Load daN	Packing Pcs.
<b>A2SCQ150</b>	12,5	51,5	M16	168	150	110	4	132	55	500	1
<b>A2SCQ150-70</b>	12,5	51,5	M16	168	150	110	4	132	70	600	1
<b>A2SCQ177</b>	13	63	M20	200	177	125	6	150	55	850	1