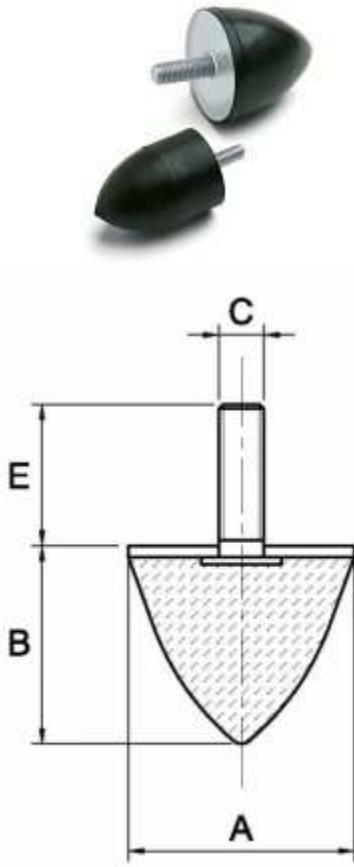




A2 Mountings With Other Shapes - SERIES CN

Shock - Absorber



Main Part Material	NR/SBR Rubber Compound
Standard Hardness	60 Shore A
Hardness Tolerance	+/- 5 SH
On request	Different Screw Lengths
Metallic Part Material & Finishing	Zinc Plated Screw and Washer
Standard Thread	Screw pressed on the washer

Code	A	B	C	E	Max Compression Load daN	Packing Pcs.
A2CN24	25	22	M6	20	20	1
A2CN26	25	30	M6	18	18	1
A2CN31	30	36	M8	23	25	1
A2CN39	40	30	M8	23	29	1
A2CN41	40	60	M8	23	28	1
A2CN51	50	50	M10	28	54	1
A2CN52	50	64	M8	35	50	1
A2CN61	60	60	M12	33	72	1
A2CN75	75	70	M12	37	117	1
A2CN100	100	85	M16	46	330	1

QUALITY PRODUCTS - EXCELLENT SERVICE - SMART DELIVERIES!