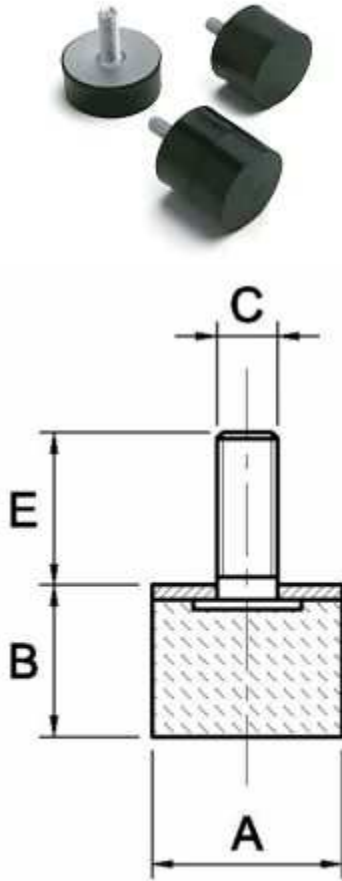




A1 Cylindrical Mountings - SERIES PM

Type D (Male Footing)



Main Part Material	NR/SBR Rubber Compound
Standard Hardness	60 Shore A
Hardness Tolerance	+/- 5 SH
On request	Different Screw Lengths
Metallic Part Material & Finishing	Zinc Plated Screw and Washer
Standard Thread	Screw pressed on the washer

Code	A	B	C	E	Max Compression Load daN	Packing Pcs.
A1PM1515	15	15	M4	14	10	1
A1PM1610	16	10	M5	12	12	1
A1PM2010	20	10	M6	16	16	1
A1PM2015	20	15	M6	16	18	1
A1PM2020	20	20	M6	16	18	1
A1PM2025	20	25	M6	16	18	1
A1PM2030	20	30	M6	16	16	1
A1PM2515	25	15	M6	18	29	1
A1PM2520/6	25	20	M6	18	29	1
A1PM2520/8	25	20	M8	20	29	1
A1PM2525	25	25	M6	18	29	1
A1PM2530/6	25	30	M6	18	29	1
A1PM2530/8	25	30	M8	20	29	1
A1PM3010	30	10	M8	23	42	1
A1PM3015	30	15	M8	23	42	1
A1PM3020	30	20	M8	23	42	1

QUALITY PRODUCTS - EXCELLENT SERVICE - SMART DELIVERIES!



ARTIUM ITC OÜ

info@artium.ee

+372 7409 400

AB TRANSYSTEMS SIA

info@abtransystems.lv

+371 6714 0102

Furniture

**Antivibration and
leveling components**

A1PM3025	30	25	M8	23	42	1
A1PM3030	30	30	M8	23	38	1
A1PM3040	30	40	M8	23	38	1
A1PM4020	40	20	M8	23	57	1
A1PM4030/10	40	30	M10	28	75	1
A1PM4030/8	40	30	M8	23	75	1
A1PM4035/8	40	35	M8	23	75	1
A1PM4040/10	40	40	M10	28	75	1
A1PM4040/8	40	40	M8	23	75	1
A1PM5020	50	20	M10	28	117	1
A1PM5030	50	30	M10	28	117	1
A1PM5040	50	40	M10	28	117	1
A1PM5045	50	45	M10	28	117	1
A1PM5050	50	50	M10	28	117	1
A1PM6020/12	60	20	M12	37	169	1
A1PM6030/12	60	30	M12	37	169	1
A1PM6040/12	60	40	M12	37	169	1
A1PM6050/10	60	50	M10	35	169	1
A1PM6050/12	60	50	M12	37	169	1
A1PM7525	75	25	M12	37	265	1
A1PM7540	75	40	M12	37	265	1
A1PM7550	75	50	M12	37	265	1
A1PM10040	100	40	M16	45	471	1
A1PM10050	100	50	M16	45	471	1
A1PM10080	100	80	M16	57	380	1

QUALITY PRODUCTS - EXCELLENT SERVICE - SMART DELIVERIES!

www.artium.ee

www.abtransystems.lv