

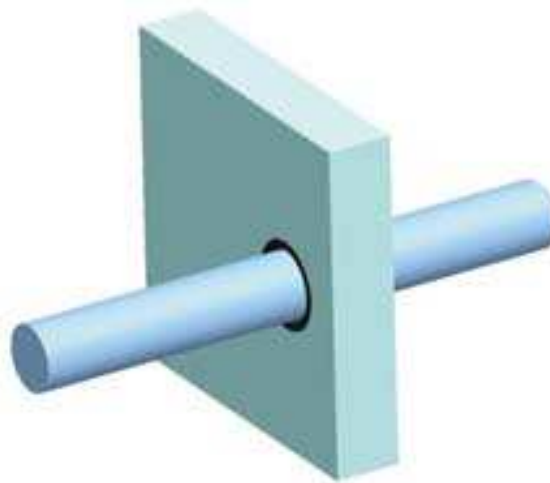


SLIDE BEARING SERIES 103-1

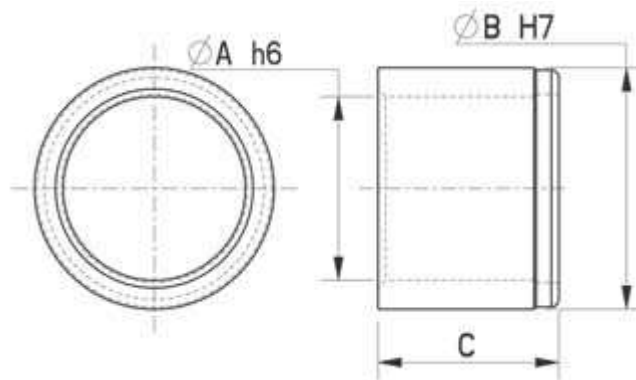


- Made from nylon-66 (PA-66) compound with carbon fibre and PTFE
- Colour: black
- Improved mechanical characteristics and reduced wear
- Maximum rotating speed 0.9 m/s
- Friction coefficient 0.11 (statical)
- Suitable for DIN h6-H7 fitting

Examples of use



Dimensions



Dimensions in mm

Article number	Colour	A	B	C
103 5020 114 42		6.0	8.0	4.0
103 5040 114 42		6.0	8.0	6.0
103 5060 114 42		6.0	8.0	8.0
103 5080 114 42		6.0	8.0	10.0
103 5100 114 42		8.0	10.0	5.5



QUALITY PRODUCTS - EXCELLENT SERVICE - SMART DELIVERIES!



103 5120 114 42		8.0	10.0	7.5
103 5140 114 42		8.0	10.0	10.0
103 5160 114 42		8.0	10.0	15.0
103 5180 114 42		10.0	12.0	6.0
103 5200 114 42		10.0	12.0	9.0
103 5220 114 42		10.0	12.0	12.0
103 5240 114 42		10.0	12.0	15.0
103 5260 114 42		12.0	14.0	9.0
103 5280 114 42		12.0	14.0	12.0
103 5300 114 42		12.0	14.0	15.0
103 5320 114 42		12.0	14.0	20.0
103 5340 114 42		14.0	16.0	15.0
103 5360 114 42		14.0	16.0	20.0
103 5380 114 42		15.0	17.0	12.0
103 5400 114 42		15.0	17.0	15.0
103 5420 114 42		15.0	17.0	20.0
103 5440 114 42		16.0	18.0	12.0
103 5460 114 42		16.0	18.0	15.0
103 5480 114 42		16.0	18.0	20.0
103 5500 114 42		18.0	20.0	12.0
103 5520 114 42		18.0	20.0	15.0
103 5540 114 42		18.0	20.0	20.0
103 5560 114 42		20.0	23.0	15.0
103 5580 114 42		20.0	23.0	20.0
103 5600 114 42		20.0	23.0	25.0
103 5620 114 42		25.0	28.0	20.0
103 5640 114 42		25.0	28.0	30.0
103 5660 114 42		30.0	34.0	20.0
103 5680 114 42		30.0	34.0	25.0
103 5700 114 42		30.0	34.0	30.0
103 5720 114 42		30.0	34.0	40.0
103 5740 114 42		32.0	36.0	20.0
103 5760 114 42		32.0	36.0	30.0
103 5780 114 42		35.0	39.0	20.0
103 5800 114 42		35.0	39.0	30.0
103 5820 114 42		35.0	39.0	40.0
103 5840 114 42		40.0	44.0	30.0

QUALITY PRODUCTS - EXCELLENT SERVICE - SMART DELIVERIES!



103 5860 114 42		40.0	44.0	40.0
103 5880 114 42		45.0	50.0	30.0
103 5900 114 42		45.0	50.0	50.0

INFORMATION (all information is given in good faith but without warranty!)

Colour description : jet black

Matches : Reasonably matches RAL colour 9005 and TRESPA A90.0.0



Featured colours reserved. Due to the screen differences in colour may occur.

Material: PA66 + C + PTFE
Material number: 42

General information

This engineering plastic was especially developed for high performance applications. The polyamid 66 compound contains carbon fibre and PTFE . The carbon fibre contributes to better mechanical characteristics (allowing higher forces), better heat discharge of slide bearings and reduced wear. The PTFE causes reduced friction and less abrasive wear.